

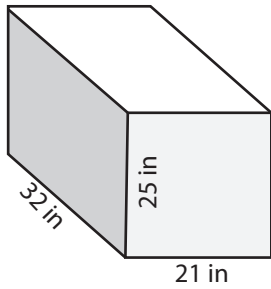
Name : \_\_\_\_\_

Score : \_\_\_\_\_

### Surface Area - Rectangular Prism

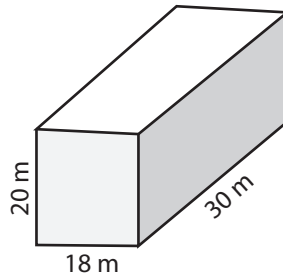
Find the surface area of each rectangular prism.

1)



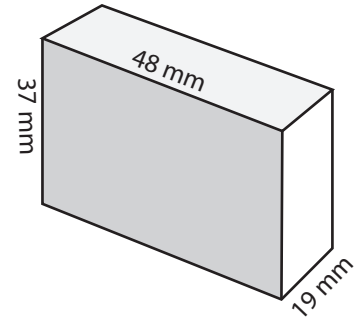
Surface Area = \_\_\_\_\_

2)



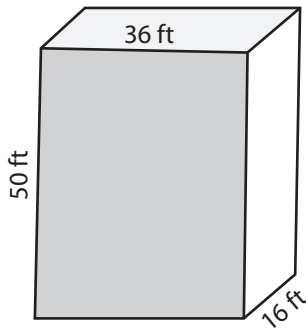
Surface Area = \_\_\_\_\_

3)



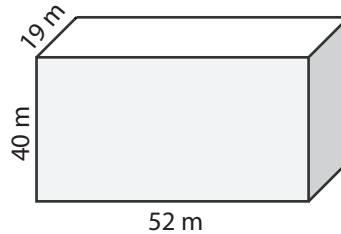
Surface Area = \_\_\_\_\_

4)



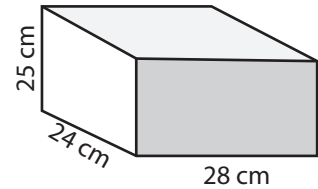
Surface Area = \_\_\_\_\_

5)



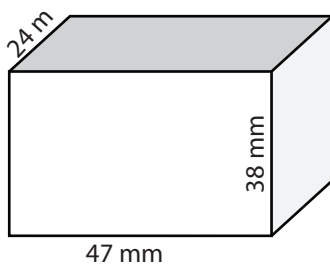
Surface Area = \_\_\_\_\_

6)



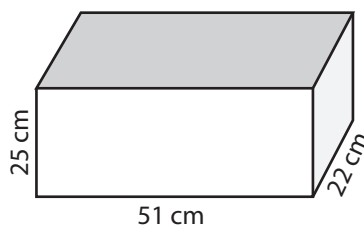
Surface Area = \_\_\_\_\_

7)



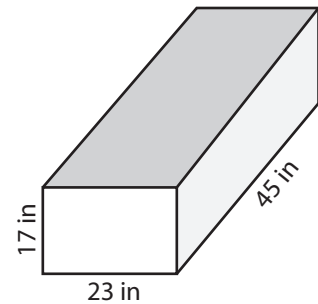
Surface Area = \_\_\_\_\_

8)



Surface Area = \_\_\_\_\_

9)



Surface Area = \_\_\_\_\_

10) A rectangular container has a dimension of 50 feet x 20 feet x 15 feet. If Kathy changes the outside color of the container, how much the area will she paint?

Surface Area = \_\_\_\_\_

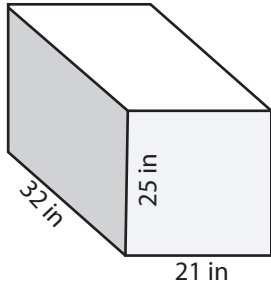
Name : \_\_\_\_\_

Score : \_\_\_\_\_

**Answer Key**

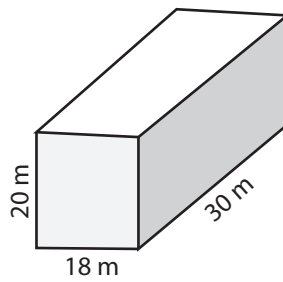
Find the surface area of each rectangular prism.

1)



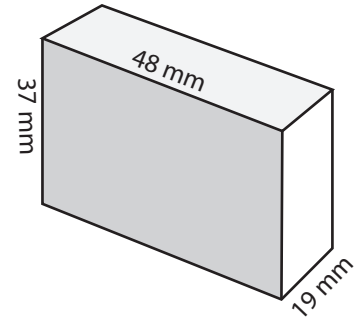
Surface Area = 3994 in<sup>2</sup>

2)



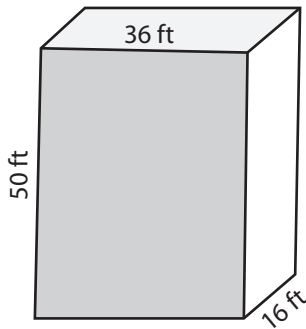
Surface Area = 3000 m<sup>2</sup>

3)



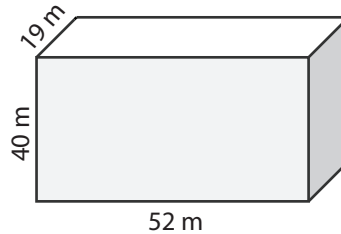
Surface Area = 6782 mm<sup>2</sup>

4)



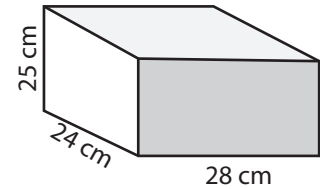
Surface Area = 6352 ft<sup>2</sup>

5)



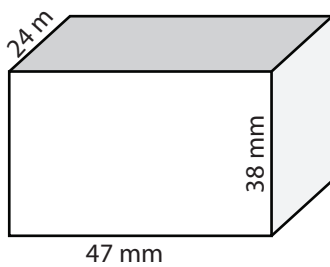
Surface Area = 7656 m<sup>2</sup>

6)



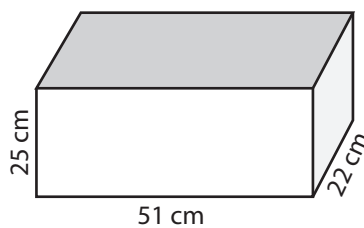
Surface Area = 3944 cm<sup>2</sup>

7)



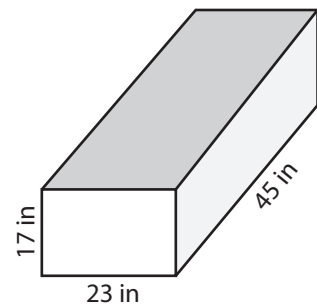
Surface Area = 7652 mm<sup>2</sup>

8)



Surface Area = 5894 cm<sup>2</sup>

9)



Surface Area = 4382 in<sup>2</sup>

10) A rectangular container has a dimension of 50 feet x 20 feet x 15 feet. If Kathy changes the outside color of the container, how much the area will she paint?

Surface Area = 4100 ft<sup>2</sup>